

# 49a - Brake Hardware Catalog



SPITZ HEAVY DUTY  
PITTSBURGH TRUCK PARTS  
CASTLE TRUCK PARTS



[heavydutyusa.com](http://heavydutyusa.com)  
[Qbrand.com](http://Qbrand.com)

November 10, 2015

[Printer Version](#)

Counter Sales (724) 382-5887  
National Accounts 1-800-525-0988




Brake Kits - See Brake Shoe Catalog for Shoe/Kit Listing



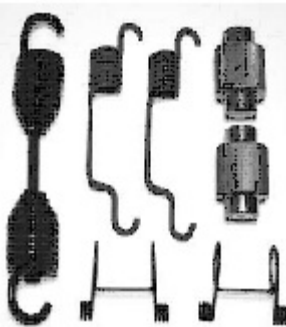





Quality Brand	Vipar Brand	Description	Euclid	Dayton
<a href="#">K-5139</a>	<a href="#">EF1</a>	EATON ES 15x4	E-5139	08-111300
	<a href="#">EF2</a>	EATON 16-1/2x8-5/8	E-10760	08-114920
<a href="#">K-1887</a>	<a href="#">EK1HD</a>	EATON STANDARD	E-1887ASHD	08-104200
		EATON EESII Table Hook USE ES2 w/2 B769 Springs	E-5481AS	08-114800
<a href="#">K-10244S</a>	<a href="#">ES2</a>	EATON EESII Web Hook	E-10244S	08-114900
	<a href="#">ES5</a>	EATON ES II 15x4	E-11981	08-114700
	<a href="#">LB1</a>	DUAL PIN STD. FORGE	E-2402HD	08-107400
	<a href="#">LB3</a>	Q 12-1/4x7-1/2	E-3484	08-109300
	<a href="#">LB10</a>	DANA FAST CHANGE 12-1/4x7.5	E-10756	
	<a href="#">MF2</a>	Q HI-MOUNT	E-9644	08-111635
	<a href="#">MF3</a>	Q 16-1/2 FRT "FH" & "FL" AXLE	E-9070	08-116705
<a href="#">K-2769</a>	<a href="#">QK1HD</a>	Q, Q+ 16-1/2x6	E-2769SHD	08-108835
<a href="#">K-3895</a>	<a href="#">QK2SHD</a>	Q, Q+ 16-1/2x6 (SHORT KIT)	E-3895SHD	08-108847
	<a href="#">RF3</a>	Q 15x4	E-3869	08-111100
<a href="#">K-9064</a>	<a href="#">RF5</a>	Q+ 15x4	E-9064	08-116000
<a href="#">K-3710</a>	<a href="#">XK3HD</a>	FRUEHAUF Q	E-3710SHD	08-109135

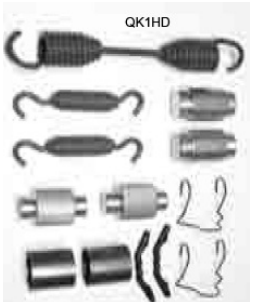

## Brake Hardware -




Individual Parts (Highlighted or underlined in pictures) available.  
10 in Box

Part #	Description	Euclid	Dayton
<u>B151</u>	Retainer	E-644	01-300
<u>B161</u>	Retainer	E-3007A	01-313
<u>B220</u>	Spring	E-2767	01-370
<u>B347</u>	Spring	E-9069	01-372
<u>B349</u>	Spring	E-3490S	01-379
<u>B423</u>	Pin	E-747	01-320
<u>B769</u>	Spring	E-1418	01-348
<u>B911</u>	Roller	E-2177	01-234
<u>B941</u>	Unknurled Roller	E-523	01-200

 <p>EF1</p>	<p>1-B562 Spring 2-B725 Rollers 1 B999 Spring</p>	 <p>EF2</p>	<p>2-B430K Roller 2-B431 Retainer 2-B433 Spring 2-B434 Spring</p>	 <p>EK1HD</p>	<p>2-B152 Roller Pin 2-B769 Spring 2-B942 Roller 1-B981 HD Spring</p>
<p><b><u>EF1</u></b> <b><u>K-5139</u></b></p>		<p><b><u>EF2</u></b></p>		<p><b><u>EK1HD</u></b> <b><u>K-1887</u></b></p>	

	<p><b>B769</b> Spring</p> <p>ES and ESII shoes require different style retainer springs.</p> <p>B769 Hooks in Table B434 Hooks in Web</p>	 <p style="text-align: center;">ES2</p>	<p>2-B430K Roller 2-B431 Retainer 1-B432A Spring 2-B434 Spring</p>		<p>2-B430K Roller 2-B431 Retainer 1-B871 Spring 2-B434 Spring</p>
<b>ES Retainer Spring</b>		<b><u>ES2</u></b> <b><u>K-10244S</u></b>		<b><u>ES5</u></b>	
 <p style="text-align: center;">LB1</p>	<p>2-B132 Pin 2-B133 Roller 2-B216 Anchor 1-B307 Spring 2-B358 Retainer 2-B362 Bushing 2-B379 Lock 4-B380 Lock 4-B392 Washer</p>	 <p style="text-align: center;">LB3</p>	<p>2-B120 Anchor 2-B134 Roller Pin 2-B135 Roller 2-B220 Spring 1-B308 Spring 4-B379 Lock 2-B423 Pin 2-B888 Bushing</p>		<p>2-B120 Anchor 2-B151 Retainer 2-B220 Spring 1-B307 Spring 2-B423 Pin 2-B888 Bushing 2-B586 Roller</p>
<b><u>LB1</u></b>		<b><u>LB3</u></b>		<b><u>LB10</u></b>	
		 <p style="text-align: center;">MF2</p>	<p>2-B120 Anchor 2-B151 Retainer or B161 2-B220 Spring 1-B348 Spring 2-B423 Pin 2-B888 Bushing 2-B911 Roller</p> <p><b>B941</b> Unknurled Roller Available</p>		<p>2-B120 Anchor 2-B151 Retainer or B161 2-B220 Spring 1-B347 Spring 2-B423 Pin 2-B888 Bushing 2-B911 Roller</p> <p><b>B941</b> Unknurled Roller Available</p>
		<b><u>MF2</u></b>		<b><u>MF3</u></b>	

 <p>QK1HD</p>	<p>2-B120 Anchor  2-B161 Retainer  2-B220 Spring  1-B349 Spring  1-B423 Pin  2-B888 Bushing  2-B911 Roller</p> <p>B941 Unknurled  Roller Available</p>	 <p>QK2SHD</p>	<p>2-B161 Retainer  2-B220 Spring  1-B349 Spring  1-B423 Pin  2-B911 Roller</p> <p>B941 Unknurled  Roller Available</p> <p><b>** SHORT KIT</b></p>		
<p><b><u>QK1HD</u></b> <b><u>K-2769</u></b></p>		<p><b><u>QK2SHD</u></b> <b><u>K-3895</u></b></p>			

 <p>RF3</p>	<p>2-073 Lock Nut  2-B725 Roller  2-B950 Anchor  1-B951 Wear Plate  1-B952 Spring  1-B953 Spring  2-B954 Washer  2-B955 Clip</p>	 <p>RF5</p>	<p>2-B120 Anchor  2-B161 Retainer  2-B220 Spring  2-B423 Pin  2-B888S Bushing  2-B911 Roller  1-B956 Spring</p> <p>B941 Unknurled  Roller Available</p>	 <p>XK3HD</p>	<p>2-B151 Retainer  2-B220 Spring  2-B277 Anchor  1-B349 Spring  2-B423 Pin  2-B888 Bushing  2-B911 Roller</p> <p>B941 Unknurled  Roller Available</p>
<p><b><u>RF3</u></b></p>		<p><b><u>RF5</u></b> <b><u>K-9064</u></b></p>		<p><b><u>XK3HD</u></b> <b><u>K-3710</u></b></p>	

